

# LASVIT Technical Sheet

## CIPHER COLLECTION

**DESIGNER: Yabu Pushelberg**

**YEAR OF DESIGN: 2017**

**Glass: Hand Blown Technical Glass**

Cipher collection is a juxtaposition of heritage techniques and contemporary form. Its delicate hand-blown crystal cylindrical pieces are cut with clean, clear lines. “The surface decoration was influenced by our fascination and exploration of the way in which etched patterning catches light,” the designers explained.

“We wanted to celebrate the inherent beauty of cut crystal and the versatility of textures. We looked for ways to create different qualities of light. The form began as an extruded hexagon, but its edges were ultimately softened and smoothed to create cylindrical forms.”

Light emits only from connection points and the sources are ingeniously hidden to soften the overall effect. With components arranged in series and joined by polished champagne-gold finished connections, Cipher’s overall linear form creates a poetic visual rhythm. As a system, the Cipher collection is extremely flexible and customizable, with limitless possible configurations for private residences and bespoke installations projects..

# LASVIT Technical Sheet

## CIPHER COLLECTION

---



---

### PACKAGING

#### **Cipher pendant S,L**

Size: 70 × 60 × 21 cm

Total weight: 10,11 kg

#### **Cipher table lamp S**

Size: 49 × 50 × 48 cm

Total weight: 6 kg

#### **Cipher floor lamp**

Size : 61 × 62 × 82 cm

Total Weight: 11 kg

#### **Cipher wall sconce**

Size: 55 × 48 × 21 cm

Total weight: 4 kg

#### **Cipher table lamp L**

Size : 36 × 37 × 55 cm

Total Weight: 5 kg

---

# LASVIT Technical Sheet

## CIPHER COLLECTION

### TECHNICAL DETAILS C. HORIZONTAL S

Type	CE	UL
Light source	6 × LED module, 2W, 2850-3000 K CRI 90 dimmable	
Input voltage	220-240V AC, 50/60 Hz	100-120V AC, 50/60 Hz
Rated power	15W	
Ballast	trailing edge	
Primary material	stainless steel, titanium champagne coating	
Cord color	coaxial cable 2 × 0,75 mm <sup>2</sup> , braiding tinned	
Cord length	2000mm/78¾", longer cord is available, contact your sales person	
Prot. rating	IP 20	
Safety class	CLASS I	

# LASVIT Technical Sheet

## CIPHER COLLECTION

### TECHNICAL DETAILS C. HORIZONTAL L

Type	CE	UL
Light source	6 × LED module, 2W, 2850-3000 K CRI 90 dimmable	
Input voltage	220-240V AC, 50/60 Hz	100-120V AC, 50/60 Hz
Rated power	15W	
Ballast	trailing edge	
Primary material	stainless steel, titanium champagne coating	
Cord color	coaxial cable 2 × 0,75 mm <sup>2</sup> , braiding tinned	
Cord length	2000mm/78¾", longer cord is available, contact your sales person	
Prot. rating	IP 20	
Safety class	CLASS I	

# LASVIT Technical Sheet

## CIPHER COLLECTION

### TECHNICAL DETAILS C. WALLSCONCE

Type	CE	UL
Light source	2 × LED module, 2W, 2850-3000 K CRI 90 dimmable	
Input voltage	220-240V AC, 50/60 Hz	100-120V AC, 50/60 Hz
Rated power	5W	
Ballast	trailing edge	
Primary material	stainless steel, titanium champagne coating	
Prot. rating	IP 20	
Safety class	CLASS I	

# LASVIT Technical Sheet

## CIPHER COLLECTION

### TECHNICAL DETAILS C. FLOOR LAMP

Type	CE	UL
Light source	2 × LED module, 2 W, 2850-3000 K CRI 90 dimmable	
Input voltage	220-240V AC, 50/60 Hz	100-120V AC, 50/60 Hz
Rated power	5W	
Ballast	Non-Dimmable	
Primary material	stainless steel, titanium champagne coating	
Cord color	coaxial cable 2 × 0,75 mm <sup>2</sup> silicone, braiding tinned	
Cord lenght	3500mm/137 <sup>1</sup> 3/16"	
Prot. rating	IP 20	
Safety class	CLASS II	

# LASVIT Technical Sheet

## CIPHER COLLECTION

### TECHNICAL DETAILS C. TABLE LAMP S

Type	CE	UL
Light source	2 × LED module, 2 W, 2850-3000 K CRI 90 dimmable	
Input voltage	220-240V AC, 50/60 Hz	100-120V AC, 50/60 Hz
Rated power	5 W	
Ballast	Non-Dimmable	
Primary material	stainless steel, titanium champagne coating	
Cord color	coaxial cable 2 × 0,75 mm <sup>2</sup> silicone, braiding tinned	
Cord length	2500mm/98 7/16 "	
Prot. rating	IP 20	
Safety class	CLASS II	

# LASVIT Technical Sheet

## CIPHER COLLECTION

### TECHNICAL DETAILS C. TABLE LAMP L

Type	CE	UL
Light source	2 × LED module, 2 W, 2850-3000 K CRI 90 dimmable	
Input voltage	220-240V AC, 50/60 Hz	100-120V AC, 50/60 Hz
Rated power	5 W	
Ballast	Non-Dimmable	
Primary material	stainless steel, titanium champagne coating	
Cord color	coaxial cable 2 × 0,75 mm <sup>2</sup> silicone, braiding tinned	
Cord length	2500mm/98 <sup>7</sup> / <sub>16</sub> "	
Prot. rating	IP 20	
Safety class	CLASS II	



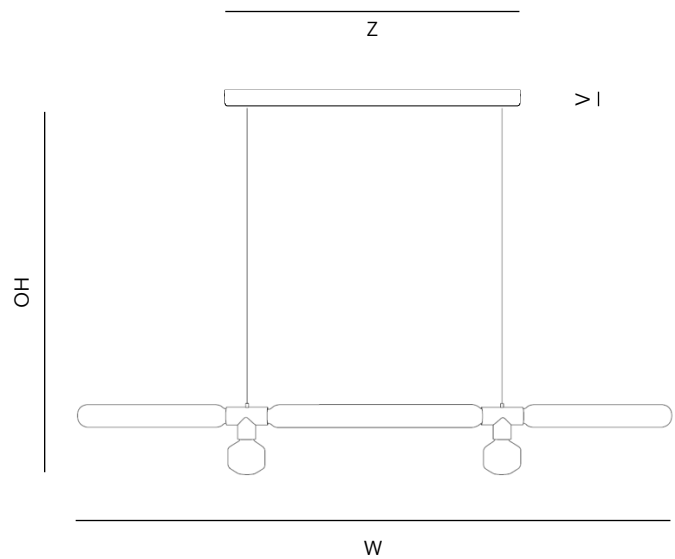
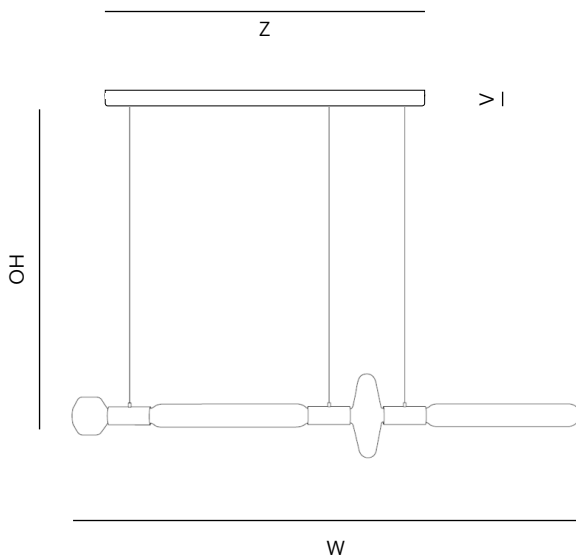
# LASVIT Technical Sheet

## CIPHER COLLECTION

### TECHNICAL DRAWING

**Cipher horizontal S**

**Cipher horizontal L**



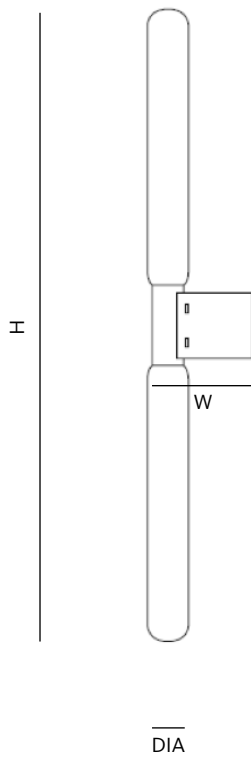
Name	W (mm/inch)	OH (mm/inch)	Z (mm/inch)	V (mm/inch)
<b>Cipher horizontal S</b>	1327/52 <sup>3</sup> / <sub>4</sub> "	2000/78 <sup>3</sup> / <sub>4</sub> "	784/30 <sup>7</sup> / <sub>8</sub> "	90/3 <sup>1</sup> / <sub>2</sub> "
<b>Cipher horizontal L</b>	1640/64 <sup>3</sup> / <sub>16</sub> "	2000/78 <sup>3</sup> / <sub>4</sub> "	784/30 <sup>7</sup> / <sub>8</sub> "	90/3 <sup>1</sup> / <sub>2</sub> "

# LASVIT Technical Sheet

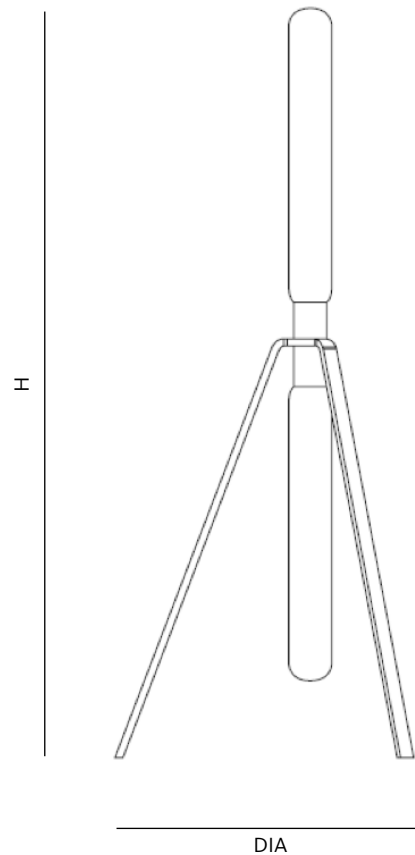
## CIPHER COLLECTION

### TECHNICAL DRAWING

**Cipher wall sconce**



**Cipher floor lamp**



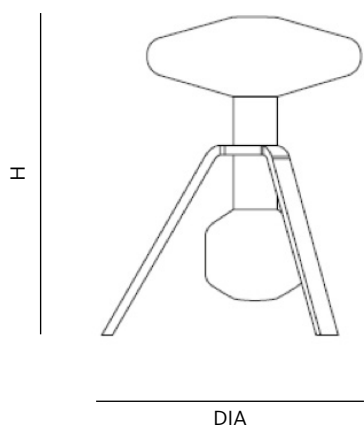
Name	W / Dia (mm/inch)	H (mm/inch)	Dia (mm/inch)	V (mm/inch)
<b>Cipher wall sconce</b>	154/6 <sup>1</sup> / <sub>8</sub> " × Dia 60/2 <sup>3</sup> / <sub>8</sub> "	919/36 <sup>1</sup> / <sub>4</sub> "	-	-
<b>Cipher floor lamp</b>	Dia 535/21 <sup>1</sup> / <sub>16</sub> "	1027/40 <sup>9</sup> / <sub>16</sub> "	-	-

# LASVIT Technical Sheet

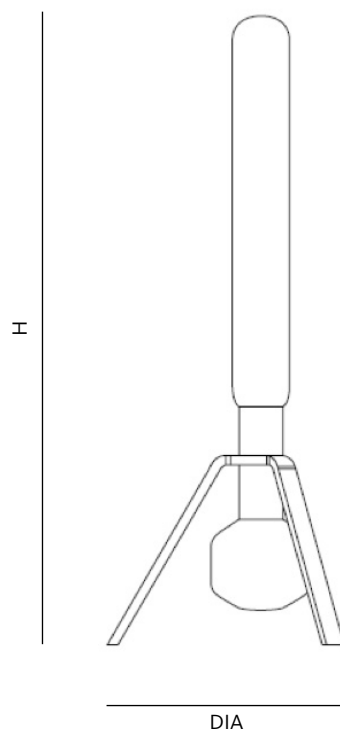
## CIPHER COLLECTION

### TECHNICAL DRAWING

**Cipher table lamp S**



**Cipher table lamp L**



Name	Dia (mm/inch)	H (mm/inch)	Z (mm/inch)	V (mm/inch)
<b>Cipher table lamp S</b>	314/12 <sup>3</sup> /16"	326/13"	-	-
<b>Cipher table lamp L</b>	314/12 <sup>3</sup> /16"	646/25 <sup>9</sup> /16"	-	-

# LASVIT Technical Sheet

<b>Name</b>	<b>Glass color</b>	<b>Item ID – CE</b>	<b>Item ID – UL</b>	<b>Weight(approx.)</b>
<b>Cipher horizontal S</b>	clear	CLo36PA-1CEoo-0127S1	CLo36PA-1ULoo-0127S1	9kg/19,8lbs
<b>Cipher horizontal L</b>	clear	CLo36PB-1CEoo-0127S1	CLo36PB-1ULoo-0127S1	8,5kg/18,7lbs
<b>Cipher wall sconce</b>	clear	CLo36WA-1CEoo-0127S1	CLo36WA-1ULoo-0127S1	3,9kg/8,6lbs
<b>Cipher floor lamp</b>	clear	CLo36FA-1CEoo-0127S1	CLo36FA-1ULoo-0127S1	3,7kg/8,2lbs
<b>Cipher table lamp S</b>	clear	CLo36TA-1CEoo-0127S1	CLo36TA-1ULoo-0127S1	2,6kg/5,7lbs
<b>Cipher table lamp L</b>	clear	CLo36TB-1CEoo-0127S1	CLo36TB-1ULoo-0127S1	2,4kg/5,3lbs

**EACH LASVIT COLLECTION IS UNIQUE BECAUSE IT IS COMPLETELY HANDCRAFTED. TINY BUBBLES AND OTHER IRREGULARITIES MAY OCCUR DUE TO THE NATURE OF THE HIGH QUALITY GLASS-BLOWING TECHNIQUE**